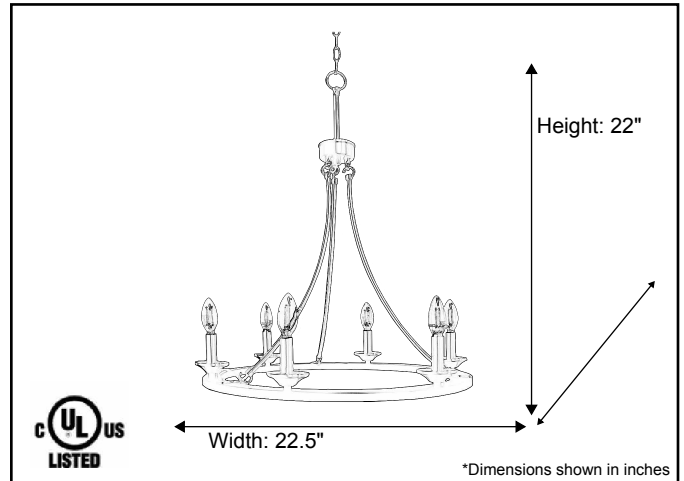


Model #	CHD-R6-MB/CG(E12/27K)
SKU	20520
Fixture Series	Chandelier
Description	6-Light Ring Chandelier
Metal Finish	Matte Black/Champagne Gold
Glass Finish	Clear
Dimensions- HxW (Dimensions shown in inches)	22" x 22.5"
Lamp Info	6X60W (M)

Finish Shown: Matte Black / Champagne Gold



\*Lamps Not Included



**ELECTRICAL REQUIREMENTS:** Fixture requires a grounded electrical supply line of 120 volts AC.

**INSTALLATION REQUIREMENTS:** Fixture attaches to electrical junction box securely anchored in wall or ceiling.  
**All mounting hardware included.**

HOMEnhancements / 1505-A Kelly Blvd., Carrollton, TX. 75006

*Product specifications subject to change without notice.*

REFERENCE	QTY.	REMARKS	Project
			Location/Type
			Architect
			Engineer
			Contractor
			Submitted By: _____ Date: _____